

**5**  
YEAR  
SATISFACTION  
GUARANTEE

model  
EX05

WHOLE ROOM CIRCULATOR  
OWNER'S GUIDE

READ AND SAVE  
THESE INSTRUCTIONS

[vornado.com](http://vornado.com)

We expect this  
product to be  
perfect.

If it is not, we  
will make it  
right.

vornado.com  
800-234-0604  
help@vornado.com

# CONTENTS

Important Safety Instructions .....	4	Warranty.....	16
Features .....	7		
Controls.....	8		
How to Use .....	9		
Assembly.....	10		
Cleaning .....	13		
Troubleshooting .....	15		

# READ AND SAVE THESE INSTRUCTIONS

## IMPORTANT SAFETY INSTRUCTIONS

This owner's guide and any additional inserts are considered part of the product. They contain important information about safety, use and disposal. Before using the product, please familiarize yourself with all operating and safety instructions. Please keep all documents for future reference and pass these documents on, together with the product, to any future owner. See [www.vornado.com/circulators-manuals](http://www.vornado.com/circulators-manuals) to view, download and print the most current version of these instructions.

**INTENDED USE:** This product is intended to circulate the air in indoor living spaces only in the United States and Canada. This product is not intended for commercial or industrial use. The manufacturer assumes no responsibility for damage or injury due to unauthorized use or product modification. Failure to follow these directions will void the product warranty.

## WARNING: Risk to Children and Impaired Persons

Supervision is required during the installation, operation, cleaning and maintenance of this product by children 12 years of age and younger and anyone with reduced physical, sensory or mental capabilities. Children should be supervised to ensure that they do not play with the appliance, its parts and packaging material.

## INSTALLATION WARNING—To reduce risk of fire, electrical shock and injury to persons, observe the following:

- Place this product away from curtains, draperies, tablecloths and other fabrics, since they may be drawn into the product, damage the motor and/or cause a fire.
- No part of this product (the appliance, power cord, plug, packaging, etc.) should be placed near furnaces, fireplaces, stoves or other high

temperature heat sources. Do not use this product in a window, on an uneven or unstable surface, or near water.

- The appliance, power supply, power cord and plug cannot come into contact with water. Do not use this product on wet surfaces. Do not use this product in a bathtub or shower or position product where it may fall into a bathtub, laundry, swimming pool or other water container. Do not use this product outdoors or expose it to weather or elements.
- Do not run cord under carpeting. Do not cover cord with throw rugs, runners, or similar coverings. Do not route cord under furniture or appliances. Arrange cord away from traffic area and where it will not be tripped over. The cord should not hang over edges of counters or be placed where it can be crimped or closed in doors. Place appliance near an easily accessible outlet so the product can be unplugged quickly during an emergency.

## SAFE USE WARNING—To reduce risk of fire, electrical shock and injury to persons, observe the following:

- **WARNING:** To reduce likelihood of circuit overload, fire and electric shock, do not operate with a solid state speed device, such as a dimmer control switch.
- Do not operate any fan with a damaged cord or plug. Discard fan or return to an authorized service facility for examination and/or repair.
- Do not operate unit if the unit has been dropped or damaged. Do not use this product if it has a damaged power cord or plug. To avoid risk of electrical shock, do not attempt to repair or replace parts. Only original replacement parts may be used. If the power cord is damaged, it must be replaced by the manufacturer, its service agent, or similarly qualified persons in order to avoid a hazard. Contact Vornado Consumer Service at 1-800-234-0604 (phone) or [consumerservice@vornado.com](mailto:consumerservice@vornado.com) (email) for further instructions about

- replacement and repair.
- Before plugging power cord into electrical outlet, be sure that all electrical information on the rating label, including voltage, is compatible with your outlet's power supply.
  - Do not sit or stand on product.
  - Never use the cord as a handle or otherwise yank, strain or stretch the power cord.
  - While the product is plugged in, do not insert or allow foreign objects to enter any input or output opening as this may cause risk of electric shock or fire, or damage the product.
  - A loose fit between wall outlet (receptacle) and plug may cause overheating and distortion of the plug. Discontinue use of the product in this outlet. Contact a qualified electrician to replace loose or worn outlets.
  - This product's power cord is equipped with a three-prong, grounded plug that must be inserted into a grounded receptacle.
  - Before moving, repositioning, servicing, cleaning and when not in use, use the product controls to turn off the power and then unplug. To disconnect from outlet, grasp and pull only the plug. Also, power off and unplug if the product will be left unattended for an extended period of time or during electrical storms.

**SERVICING WARNING—To reduce risk of fire, electrical shock and injury to persons, observe the following:**

- Clean your product regularly, only as is instructed in this manual. Prior to cleaning, turn off the power on your product and unplug. Do not use gasoline, thinners, solvents, ammonias or other chemicals for cleaning. Refer to the CLEANING instructions provided.
- Do not open appliance housing while product is plugged in. To avoid risk of shock, all service and/or repairs must be done by a Vornado Authorized service Center.

- This product employs overload protection (fuse). A blown fuse indicates an overload or short-circuit situation. If the fuse blows, unplug the product from the outlet. Replace the fuse as per the user servicing instructions (follow product marking for proper fuse rating) and check the product. If the replacement fuse blows, a short-circuit may be present and the product should be discarded or returned to an authorized service facility for examination and/or repair.

**User Servicing Instructions**

1. Using the product controls, turn off the appliance.
2. Grasp the plug (not the cord) and disconnect from the outlet.
3. Risk of Fire. Replace fuse only with 5 Amp, 125 Volt fuse as approved by Vornado Consumer Service. For an authorized replacement fuse, please contact Vornado Consumer Service.
4. Once the replacement is received, use a small flat-head screwdriver to slide open the fuse cover (located on the plug) (See next page, Fig. A).
5. Remove fuse by using the screwdriver to gently lift each end of the fuse (See next page, Fig. B).
6. Install the replacement fuse by using the screwdriver to gently push each metal end of the fuse into the receptacle one at a time. Do not push on the center of the fuse—it is fragile and may break (See next page, Fig. C).
7. Slide the fuse cover closed using the screwdriver. When closed, the cover should fit completely in the plug. No part of the cover should stick out (See next page, Fig. D).
8. Plug your appliance into the outlet and turn the power on.
9. If the replacement fuse blows, a short-circuit may be present and the product should be discarded or returned to an authorized service facility for examination and/or repair.



Risk of fire. Do not replace attachment plug. Contains a safety device (fuse, AFCI, LCDI) that should not be removed. Discard product if the attachment plug is damaged.

## **SAVE THESE INSTRUCTIONS**

# FEATURES

**POWERFUL IP-54 RATED MOTOR**  
Dust proof, long life motor that will endure the rigors of the job site.

**TOOL FREE ASSEMBLY**

**EXTRA LONG 8' GROUNDED POWER CORD**  
Ample cord length plus a fully secure wall connection

**TOGGLE SWITCH**  
Oversized glove-friendly double toggle switch

**WALL MOUNTABLE**  
Wall-mount option for added versatility

**NON-SLIP FEET**  
Product will stay where you put it.



**FINGER FRIENDLY DESIGN**  
Resists curious fingers.

**REMOVABLE GRILLE**  
For easy cleaning.

**SWIVEL HEAD**  
360° pivoting head to direct air where needed

**COLLAPSIBLE TRIPOD BASE**  
Quick and easy setup, takedown & storage

# CONTROLS

## POWER ON/OFF

Select High (III),  
Medium (II), Low (I) fan  
speed or power off (O)





# HOW TO USE

The EXO5 can be used in one of three different ways.

## 1. TRIPOD BASE



## 2. CLAMP



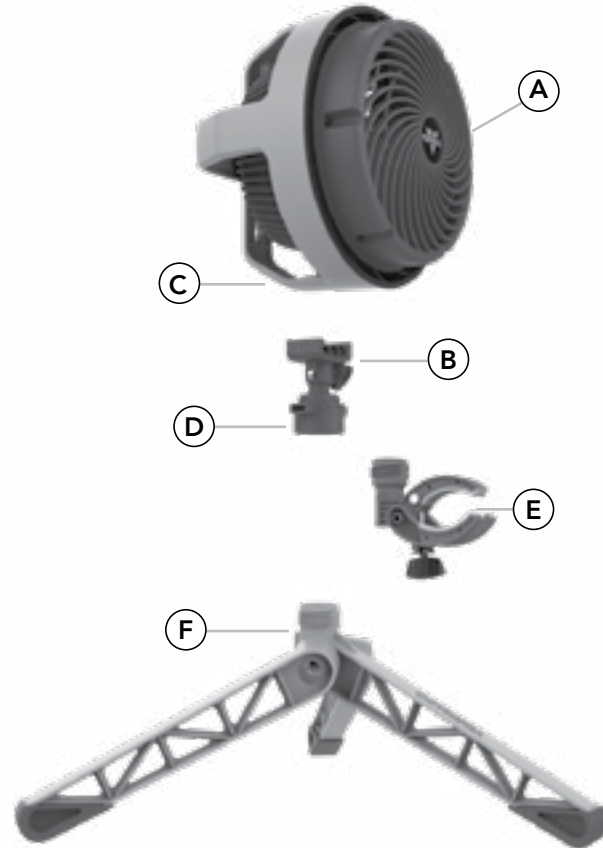
## 3. WALL MOUNT



# ASSEMBLY

The EXO5 can be used in one of three different ways.

1. Connect the Locking Socket Joint (B) to the EXO5 Fan Head (A) at any flat location along the Roll Cage (C). Before proceeding, ensure that the knob is properly tightened and the Locking Socket Joint (B) is fully secured to the Fan Head (A). Do not pinch the power cord between the Locking Socket Joint (B) and the Fan Head (A).
2. To connect the Fan Head/Locking Socket Joint assembly to either the to the Clamp (E) or the Tripod Base (F), simply insert into the under side of the Locking Socket Joint (D) and twist until secured.
3. To remove Clamp (E) or the Tripod Base (F), simply twist until loosened.

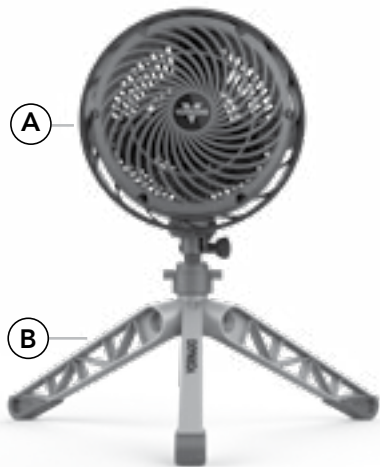


# HOW TO USE

## TRIPOD BASE ATTACHMENT

1. After product assembly, position unit on flat and level surface as shown below.
2. To adjust angle of head tilt, simply loosen the connection between the Fan Head (A) and the Tripod Base (B) with a twist, adjust to desired angle and then twist to retighten.

Note: Product should be used with Tripod Base (B) in fully extended position and fully secured to Fan Head (A).



## CLAMP ATTACHMENT

1. After product assembly, twist the Clamp Knob (C) to open the Clamp (D).
2. Position the Clamp (D) over a solid surface **up to 2" thick**.
3. Twist the Clamp Knob (C) to tighten. Take care Clamp (D) is fully engaged on solid surface before releasing.

Note: DO NOT attach to slick or oily surfaces as this may allow product to come loose. Make sure solid surface can support the weight of the product.



Note: For both attachment options, keep the electrical cord safely routed to avoid being tripped over or pulled. Avoid placing the product where it could be easily bumped.

# HOW TO USE

## WALL MOUNT INSTALLATION

1. Locate the Key Holes (A) on the back of the product.
2. Find and mark two circles on the wall where the product will be mounted. The circles need to be 5" apart from center to center.

NOTE: Is it recommended to mount the EXO5 on a solid surface or wall stud. Do NOT hang the product on the ceiling. Use drywall anchors if a stud is not available.


3. Drill 2 #10 panhead screws into the wall (screws not included). Screws should be weight rated for 10 lb vertical load each.
4. Leave about 1/4" of each screw exposed.
5. Place the wide portions of the Key Holes over the heads of the 2 screws.
6. Slide the product down until the screws are inside the narrow portion of the key holes and the product is secured to surface.

Note: Hang product from sturdy location using large screws that will support product. Be careful not to hang the product in such a way that it prevents normal fan operation or damages the cord. Keep the electrical cord safely routed to avoid being tripped over or pulled. Avoid placing the product where it could be easily bumped.




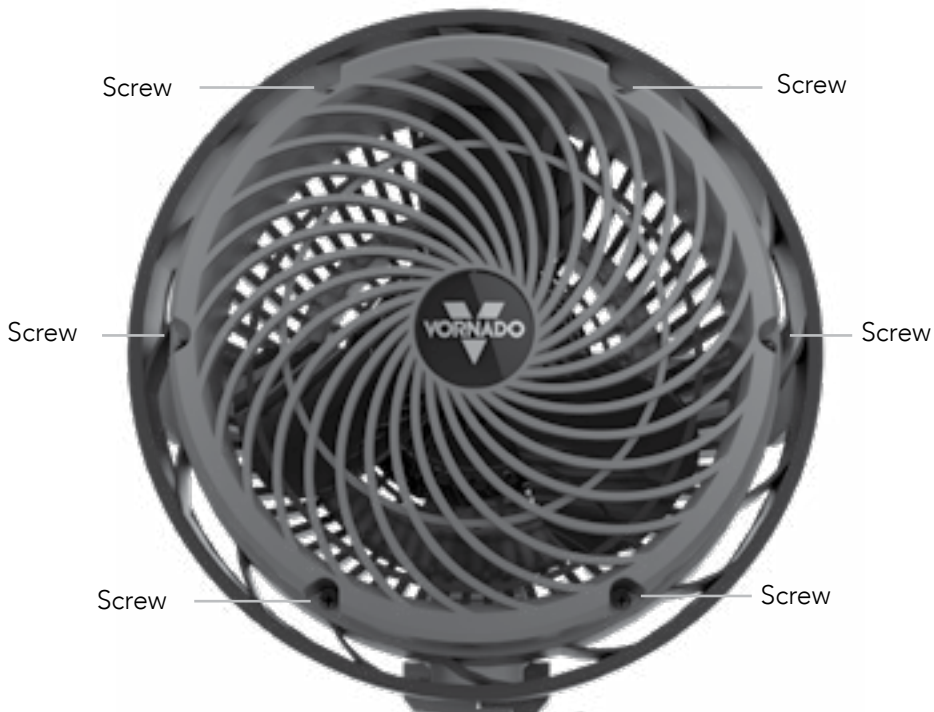
# CLEANING

GRILLE REMOVAL *Screwdriver recommended.* 

 **WARNING:** To reduce the risk of electrical shock and injury to persons, unplug the circulator before removing grille.

1. Remove the 6 screws located on the front of the grille.
2. Dust or wash the Front Grille with a mild dishwashing soap. Do not place grille in the dishwasher. The excessive heat can distort the plastic.
3. To reattach - align the 6 screw holes and replace all the screws.

 **Tip** Use the brush attachment on your household vacuum cleaner to vacuum any accumulated dust off the Front Grille and Air Inlets.



**Note:** The motor is permanently lubricated and requires no oiling.

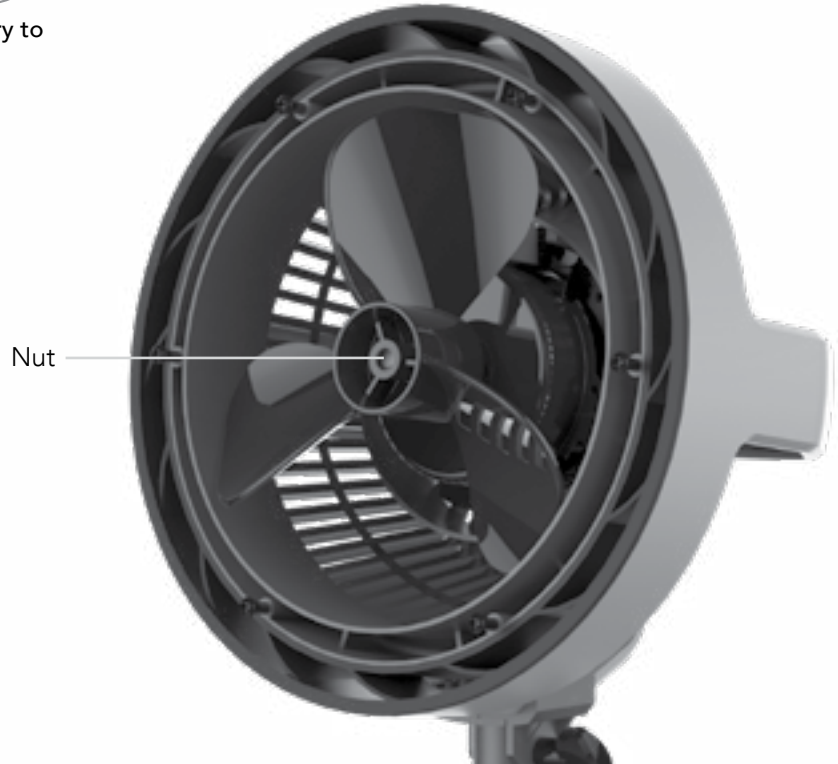
# CLEANING

## BLADE REMOVAL *Pliers recommended.*



⚠ **WARNING:** To reduce the risk of electrical shock and injury to persons, unplug the circulator before removing blade.

1. First, remove the nut from the shaft by turning the nut clockwise to loosen. Remove the washer. Pull the blade straight out from the shaft.
2. Wipe the Blade with a damp cloth. If your circulator is used in a greasy environment, such as a kitchen, mild soap or a common household cleaner may be necessary. Do not use solvents. Do not place blade in the dishwasher. The excessive heat can distort the plastic.
3. To reattach - be certain the flat side of the shaft aligns directly with the corresponding flat side on the blade's socket. Push the blade all the way on the shaft until it bottoms out. **Do not use a hammer as this could result in bearing damage.** Reinstall washer and nut.



# TROUBLESHOOTING

## PROBLEM

## POSSIBLE CAUSE AND SOLUTION

The unit fails to power on.

Unit is not plugged in. Plug Power Cord into electrical outlet.

Ensure unit fan speed setting is selected.

Plug fuse has blown. Replace fuse (See USER SERVICING INSTRUCTIONS).

Unit is damaged or in need of repair. Cease usage and unplug. Contact Consumer Service for assistance.

The outlet is worn or damaged. Try another outlet or contact a qualified electrician.

Airflow is weak or slow.

Unit set to a low speed setting. Adjust to a higher speed setting.

Airflow is blocked. Remove obstruction.

Adjust direction of airflow towards the user.

GFCI has tripped.

Under certain conditions, it is possible for a reset GFCI (Ground Fault Circuit Interrupter) outlet to trip when the user is changing speeds on a Vornado circulator. In this event, change to an outlet that is not connected to a GFCI device. It could also indicate a weak or defective GFCI outlet. Contact a qualified electrician to check the GFCI outlet.



# WARRANTY

We expect this product to be perfect. If you're not satisfied with this product, let us know.

**We're Here To Help**  
**800.234.0604**  
**vornado.com**  
**help@vornado.com**

Vornado Air LLC ("Vornado") warrants to the original consumer or purchaser this Vornado® Whole Room Circulator ("Product") is free from defects in material or workmanship for a period of five (5) years from the date of purchase. If any such defect is discovered within the warranty period, Vornado, at its discretion, will repair or replace the Product at no cost.

For warranty or repair service: Call 1-800-234-0604 or email [help@vornado.com](mailto:help@vornado.com) to obtain a Return Authorization ("RA") form. Please have or include your Product's model number and serial number, as well as your name, address, city, state, zip code and phone number when contacting Vornado for warranty service.

After receiving the RA form, ship your Product to: Vornado Air LLC Attn: Warranty & Repair 415 East 13th Street Andover, KS 67002. For your convenience, please have your model number and serial number when contacting Vornado with service inquiries. To assure proper handling, packages must be clearly marked with the RA number. Packages not clearly marked with the RA number may be refused at the receiving dock. Please allow 1-2 weeks for repair and return of your Product after the Product is received.

Repairs not covered by the warranty or outside the warranty period will require a fee to cover the cost of materials, labor, handling and shipping.

This warranty does not apply to defects resulting from abuse of the Product, modification, alteration, mishandling, improper maintenance, commercial use or repair or service of the Product by anyone other than Vornado; damages which occur in shipment or are attributed to acts of God. Improper product use, which includes using an external device that alters or converts the voltage or frequency of electricity, or shipping a Vornado product

to a country not intended for use will void all warranties. Any unauthorized product modification, repair by unauthorized repair center, or use of non-approved replacement parts is not recommended and any consequences will not be covered by support services or product warranties. The product warranty will be honored only on models that are being used in the country intended. REPAIR OR REPLACEMENT AS PROVIDED UNDER THIS WARRANTY IS THE EXCLUSIVE REMEDY OF THE CONSUMER. VORNADO SHALL NOT BE LIABLE FOR ANY INCIDENTAL OR CONSEQUENTIAL DAMAGES FOR BREACH OF ANY EXPRESS OR IMPLIED WARRANTY ON THIS PRODUCT. EXCEPT TO THE EXTENT PROHIBITED BY APPLICABLE LAW, ANY IMPLIED WARRANTY OF MERCHANTABILITY OR FITNESS FOR A PARTICULAR PURPOSE ON THIS PRODUCT IS LIMITED IN DURATION TO THE DURATION OF THIS WARRANTY. Some states do not allow the exclusion or limitation of incidental or consequential damages, or allow limitations on how long an implied warranty lasts, so the above limitations or exclusions may not apply to you. This warranty gives you specific legal rights, and you may have other rights that vary from state to state. The manufacturer assumes no responsibility for damage caused by failure to follow these instructions or improper product use. Any such actions will invalidate the product warranty.

All company names and product names are trademarks of their respective owners. © All rights reserved. All technical information, data, and instructions for the installation, connection, and operation contained in these instructions for use correspond to the latest available information at time of printing. The contents of this manual may differ slightly from the actual product. Observe any additional supplements.



Designed, engineered and supported in Andover, KS

© 2021 Vornado Air LLC Andover, KS 67002 U.S. Patent Pending. Specifications subject to change without notice. Vornado® is a trademark owned by Vornado Air LLC.





Vornado Air, LLC  
415 East 13th Street, Andover, Kansas 67002  
800.234.0604 | [vornado.com](http://vornado.com)