

# sporty's<sup>®</sup>

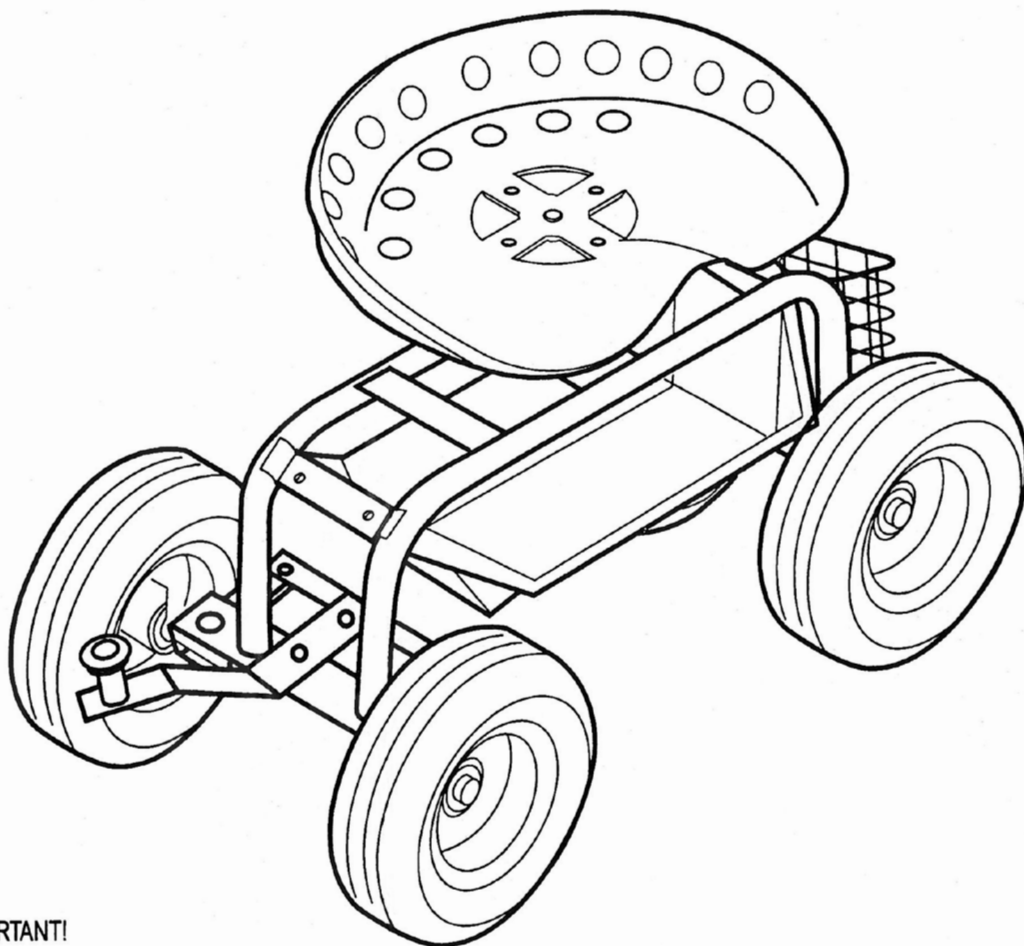
## Rolling Workseat with Steering

Owner's Manual

Assembly Instructions

Parts List

Safety Instructions

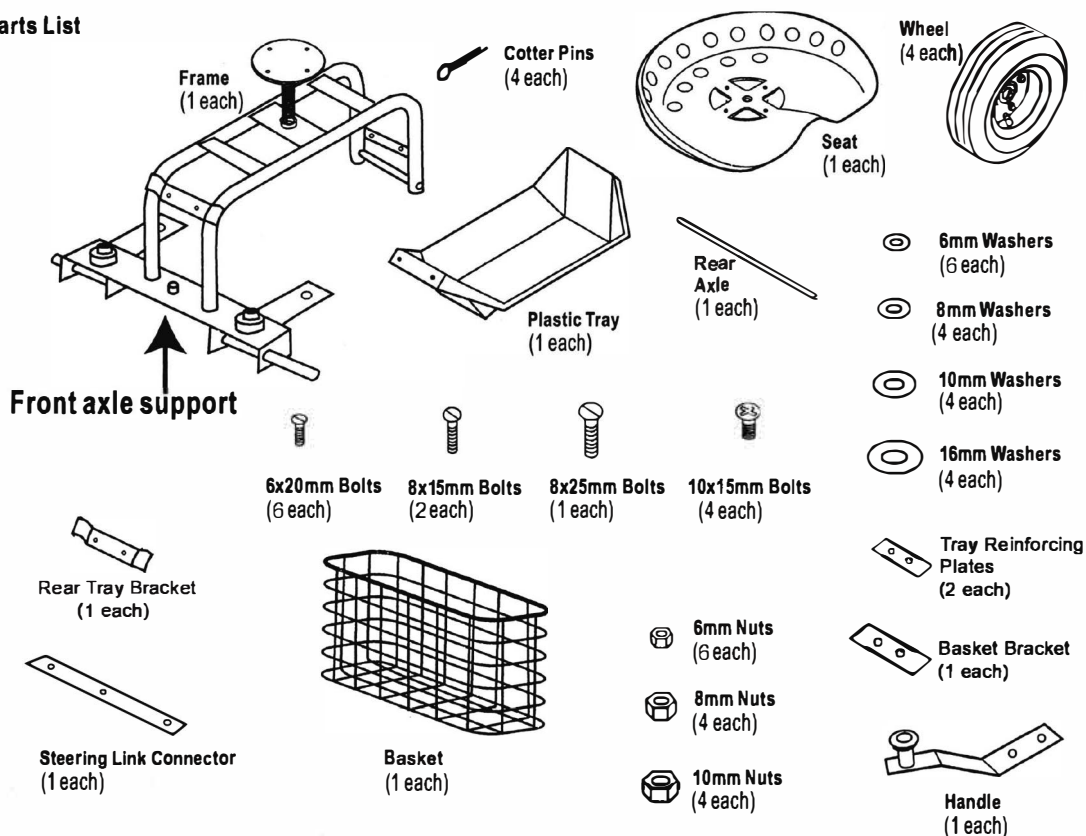


**IMPORTANT!**  
Please read and follow ALL  
instructions before assembling or  
using this product.

# Assembly Instructions

This product requires assembly. Please make sure you have all parts before beginning assembly (refer to the Parts List page of this manual). Read these instructions completely before beginning assembly. Carefully remove all parts from the box and identify and organize all parts and tools. Tools required for assembly are a slot screwdriver and a small adjustable wrench.

## Parts List



### STEP 1

Place FRAME as shown in Figure 1. Attach PLASTIC TRAY to front tray bracket (welded) and REAR TRAY BRACKET using TRAY REINFORCING PLATES with 6pcs 6x20mm BOLTS, 6mm WASHERS, and 6mm NUTS (refer to Figure 1 for positioning). Attach BASKET to BASKET BRACKET using 2pcs 8x15mm BOLTS, 8mm WASHERS, and 8mm NUTS (refer to Figure 1 for positioning).

### STEP 2

Slide REAR AXLE into the back of the FRAME. Next, mount WHEELS (with valve stem facing out) onto all AXLES. Next, slide a 16mm WASHER onto each AXLE, and secure with a COTTER PIN through the pre-drilled hole on all ends of the AXLES.

### STEP 3

Attach STEERING LINK CONNECTOR onto the front AXLE SUPPORT ASSEMBLY with 2pcs 8x15mm BOLTS, 8mm WASHERS, and 8mm NUTS. Next, attach HANDLE onto the FRONT AXLE SUPPORT and STEERING LINK CONNECTOR, with the bolt, washer and nut – already installed on the frame. Next, attach the HANDLE bottom to the STEERING LINK CONNECTOR with 1pc 8x25mm BOLT, 8mm WASHER, and 8mm NUT.

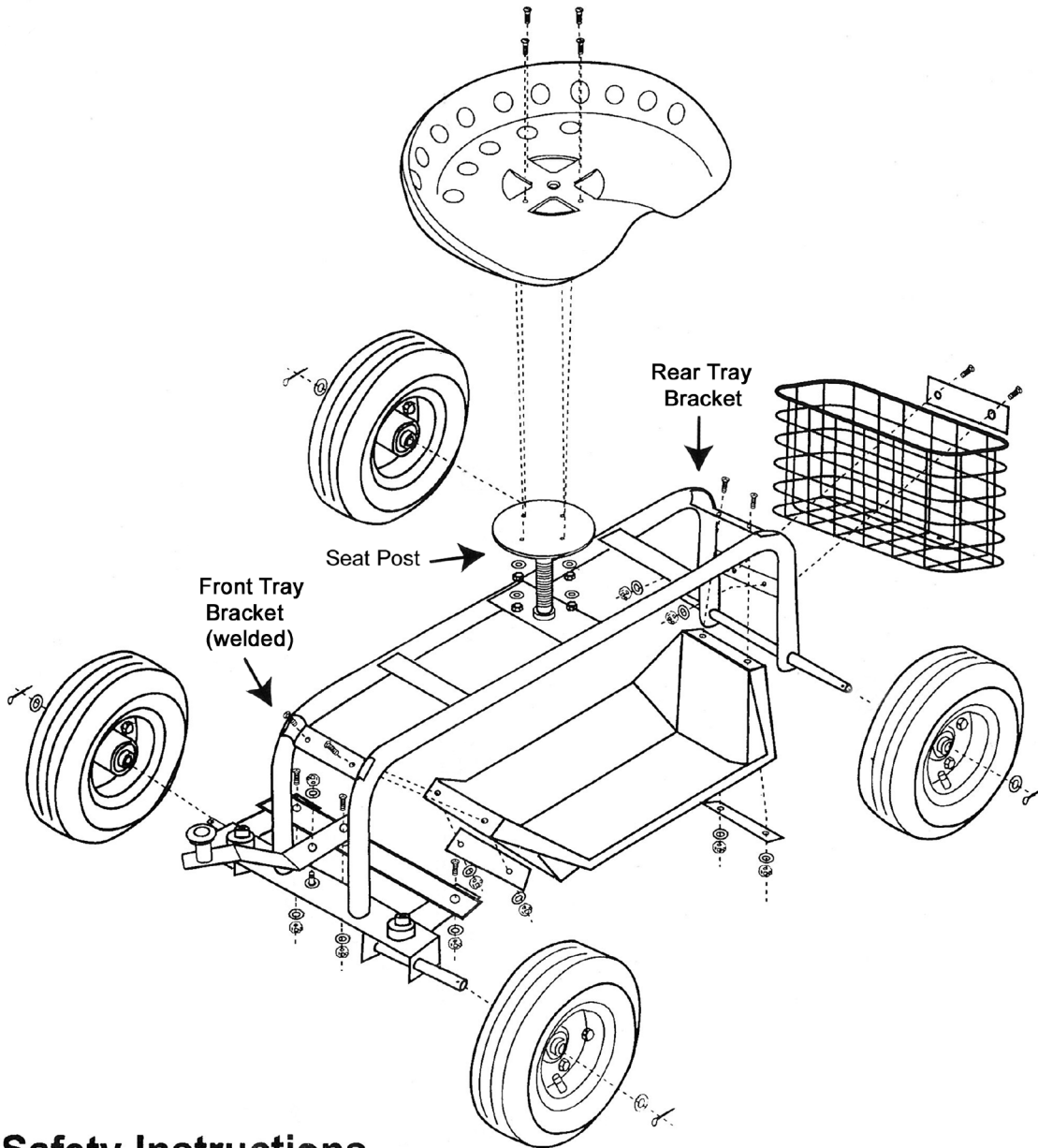
### STEP 4

Attach SEAT to seat post with 4pcs 10x15mm BOLTS, 10mm WASHERS, and 10mm NUTS. Adjust seat height by rotating SEAT.

Customer Service: 513.735.9000

www.sportys.com

Figure 1



## Safety Instructions

**THIS IS NOT A TOY- NOT FOR USE BY CHILDREN.**

- Do NOT overinflate tires - Maximum pressure is 30 psi.
- Do NOT use on inclines, work seat may tip
- Do NOT load your work seat with more than 300 lbs.
- Do NOT load Plastic Tray with more than 5 lbs.
- Do NOT operate if any part is damaged or broken.

Made in China

Customer Service: 513.735.9000

[www.sportys.com](http://www.sportys.com)