

sporty's[®]

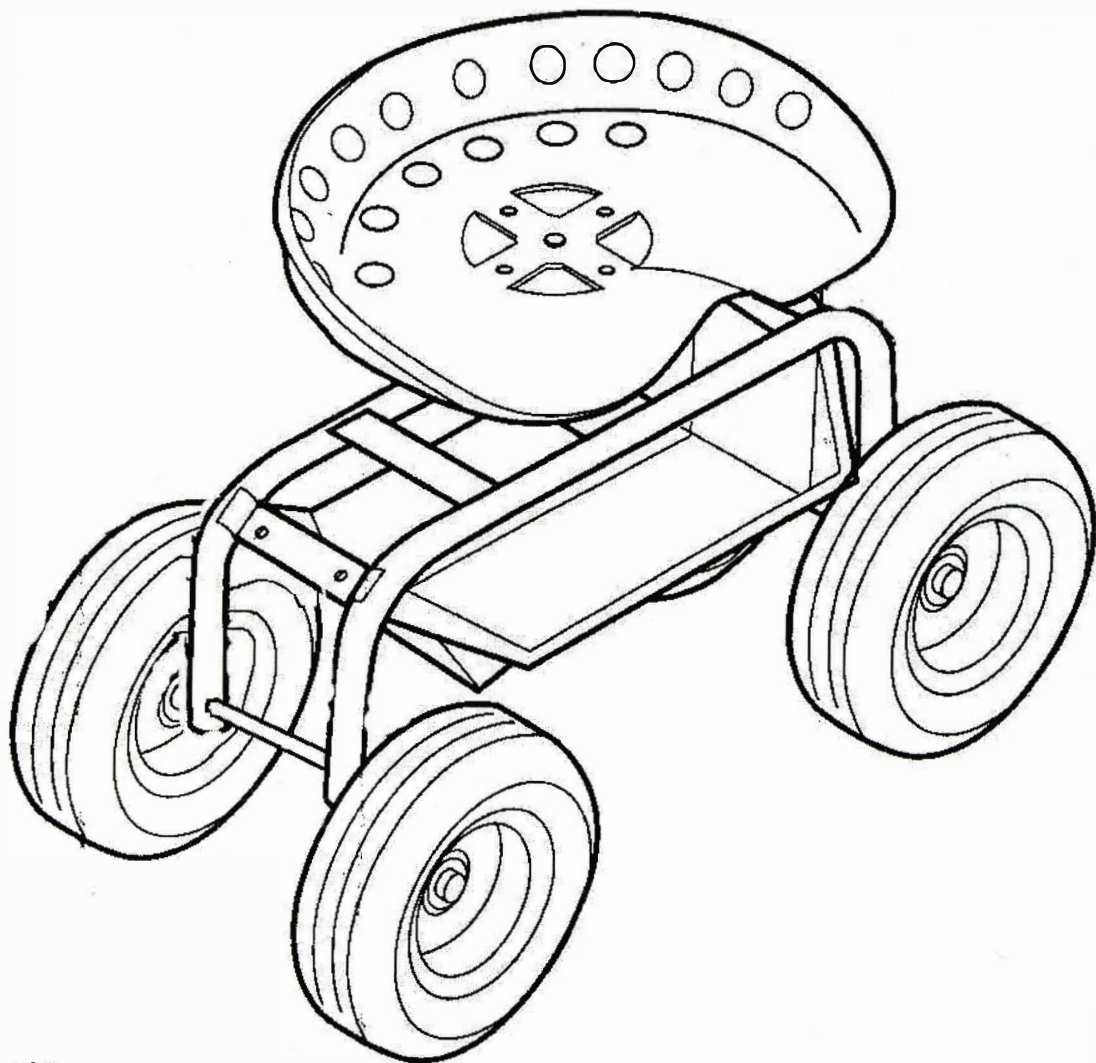
Rolling Workseat

Owner's Manual

Assembly Instructions

Parts Identification

Safety Instructions

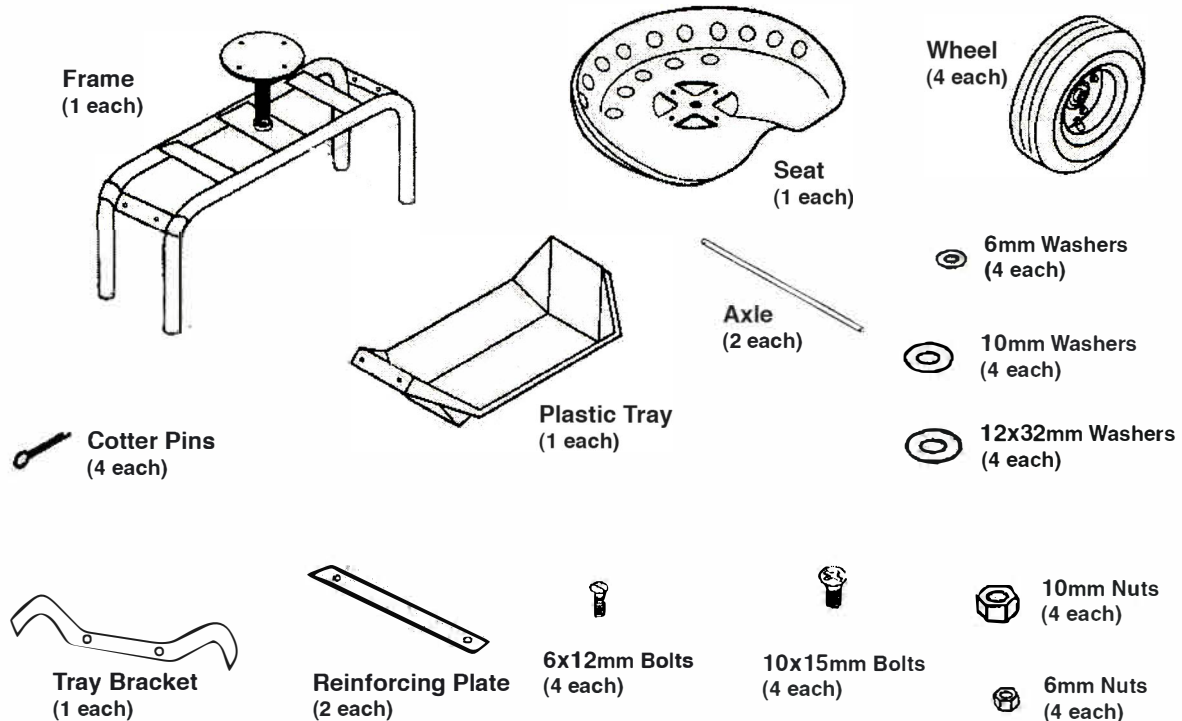


IMPORTANT!
Please read and follow
instructions before assembling or
using this product.

Assembly Instructions

Carefully remove all the parts. Please read the instructions completely and make sure you have all parts before beginning the assembly (refer to the Parts Identification List). The tools required for the assembly are a small adjustable wrench and a straight slot screwdriver.

Parts Identification List



STEP 1

Place Frame as shown in Figure 1. Attach Plastic Tray to Tray Brackets using Reinforcing Plates with 4 6x12mm Bolts, 6mm Washers, and 6mm Nuts (refer to Figure 1 for positioning).

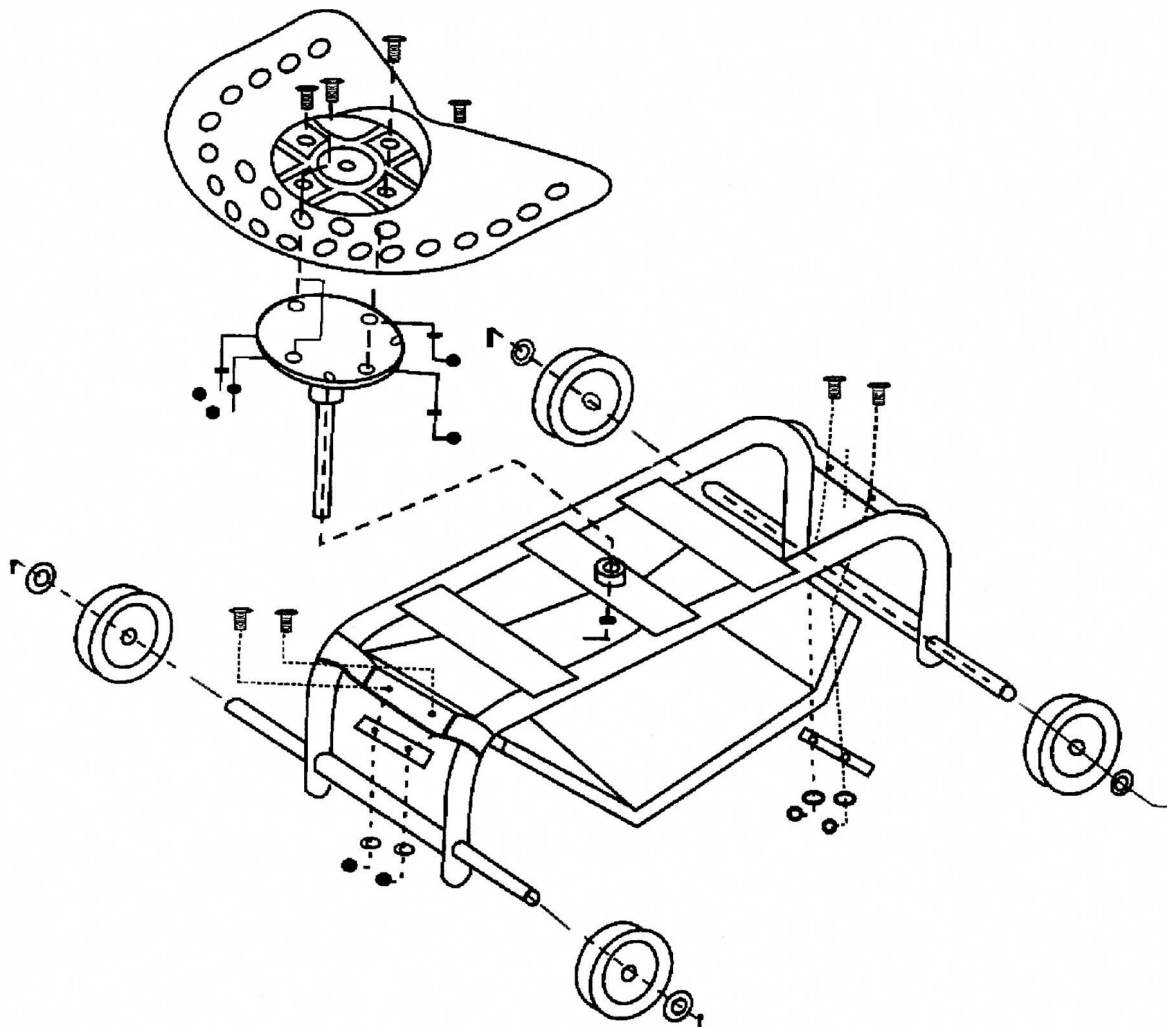
STEP 2

Slide Axles into the Frame. Mount wheels (with valve stem facing out) onto Axles. Slide a 12 x 32 mm washer onto each end of the Axles, and insert a Cotter Pin through the pre-drilled hole on the end of both Axles to secure Wheels. Make sure to spread the Cotter Pins open.

STEP 3

Attach the Seat to the Seat Post with 4 10x15mm Bolts, 10mm Washers, and 10mm Nuts. Adjust the Seat height by rotating it.

Figure 1



Safety Instructions

THIS IS NOT A TOY- NOT FOR USE BY CHILDREN.

- Do NOT overinflate tires – Maximum pressure is 30 psi.
- Do NOT use on inclines, work seat may tip
- Do NOT load your work seat with more than 300 lbs.
- Do NOT load Plastic Tray with more than 5 lbs.
- Do NOT operate if any part is damaged or broken.

Made in China

Revision 08-25-21